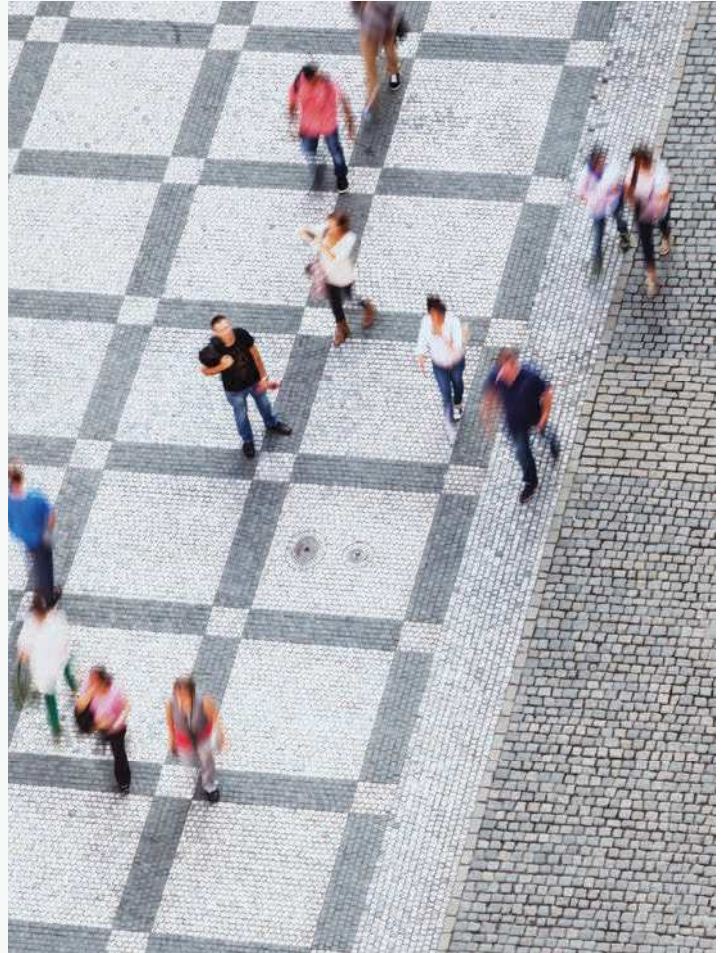


 **YORK**[®]
INSTALL CONFIDENCE



YORK[®] Commercial & Industrial HVAC 2016

ECOFRIO v2

Air cooled chiller / heat pump

YLCA / YLHA 0040 to 0150

A complete range from 39.6 kW up to 151 kW



The **YORK YLCA/YLHA** air-cooled chillers and heat pumps represents the right solution for any kind of installation.

With thousands of units installed all around Europe and Africa, used for different applications and in different climate conditions are one of the most flexible and reliable scroll type chillers in the market.

The standard product configuration and the different options and accessories selectable by the customer make these units ideal where a compact, and high performance unit is required.

Features

YLCA/YLHA 0040 to 0080

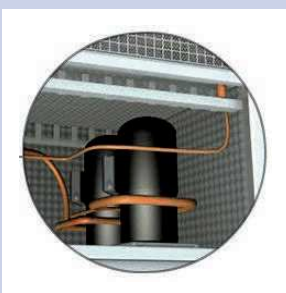
- 2 capacity steps (1 for size 40)
- LWT & RWT Control
- Plate heat exchanger
- Condenser fins (blue fin)
- Pressostatic LAK (-18°C)

YLCA/YLHA 0100 to 0150

- Same features as YLCA/YLHA 40 to 80
- 4 capacity steps
- High efficiency at full and partial load
- Reduced noise levels
- 1/4 turn lock for easy access

Options / Accessories

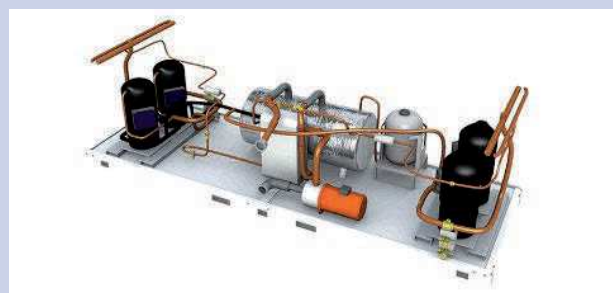
- Unit without pack
- BMS Communication (Carel and Modbus protocol)
- Remote control
- Remote terminal
- Water filter (unit without Hydro Pack)
- Flow switch (unit without Hydro Pack)
- Low noise version
- Dual pump version
- Antivibration mountings
- Condenser protection grille



Low noise version with special insulation in the compressor chamber.



Special coating on the condenser fins for improved corrosion protection.



Pump built-in for space saving and easy installation.



ECOFRIO v2

YLCA / YLHA 0040 to 0150

Technical features

T Three phases supply P Hydro Pack H Heat pump

Model		YLCA / YLHA								
		0040 T-TP	0050 T-TP	0060 T-TP	0080 T-TP	0100 T-TP	0120 T-TP	0150 T-TP		
Performance	Cooling capacity c/o units (1)	kW		39.3	51.8	60.1	77	100.3	118.5	150.5
	Total Input Power (1) (3)	kW		13.69	18.3	20.03	27.11	34.47	40.44	54.14
	EER (1)			2.87	2.83	3	2.84	2.91	2.93	2.78
	ESEER (1)			3.15	3.18	3.3	3.15	3.74	3.83	3.66
	Cooling capacity h/p units (1)	kW		37.6	51.2	60.1	71.7	95.4	113.6	144.5
	Heating capacity h/p units (1)	kW		38.8	52.8	60	75.2	104.6	120	150.5
	Total Input Power cool/heat mode (1) kW			13.48 / 12.81	17.65 / 18.21	20.03 / 20.2	26.46 / 26.86	36.14 / 37.76	43.69 / 40	51.06 / 53.94
	EER / COP (1)			2.79 / 3.03	2.93 / 2.9	3 / 2.97	2.71 / 2.8	2.64 / 2.77	2.6 / 3	2.83 / 2.79
	ESEER (1)			3.15	3.18	3.29	2.91	3.39	3.43	3.73
	Capacity steps	%		0 / 100		0-50-100		0-25-50-75-100		
Sound power level STD / LN	dB(A)		78 / 73	81 / 76	87 / 77	83 / 79	82 / 78	82 / 78	84 / 80	
Compressor	Type	Scroll								
	Quantity	1		2		3		4		
Air side heat exchanger	Fans quantity	2		3		4		4		
	Working ambient temp. cool. / heat. mode	-18°C ~ 46°C / -10°C ~ 20°C								
Water side heat exchanger	Type	Single Plate Heat Exchanger				Dual Plate Heat Exchanger				
	Unit water volume (2)	Litres		131	188	194	285	193	195	214
	Pump Type	Multistage horizontal pumps								
	Nominal water flow	l/h		6 820	8 960	10 400	13 350	17 600	20 470	25 970
	Available pressure (1) (2)	kPa		105	108	158	123	187	202	186
	Pressure drop (1) (3)	kPa		75	39	50	63	59	33	27
	Working range water leaving temperature cooling / heating (4)	-5°C ~ 15°C / 30°C ~ 50°C								
	Water connections (2)	inch		1 1/4"		2"		2 1/2"		
Dimensions & Weight	Height / Width / Depth	mm		1573/1500/822	1600 / 1011 / 2104		1600/1118/2944	2190 / 1101 / 3416		2263/1101/3770
	Weight without pack / pack c/o	kg		340 / 380	524 / 580	555 / 611	715 / 785	1 124 / 1 220	1 190 / 1 286	1 415 / 1 503
	Weight without pack / pack h/p	kg		337 / 397	537 / 593	568 / 624	735 / 805	1 154 / 1 250	1 220 / 1 316	1 445 / 1 703
Electrical features	Voltage / Phases / Frequency	V/ph/hz		400 / 3 / 50+N+E						
	Maximum Unit current	A		33	46.2	49.2	70.5	80	108	120

YLCA: Cooling only units models. YLHA: Air to water heat pump models.

(1) net values at Eurovent nominal conditions (2) version P with hydro kit with filter (3) version without hydro kit (4) below 6°C with glycol

Nominal conditions: Cooling capacities in kW given for 7°C water leaving temperature Δt 5°C and 35°C ambient temperature

Heating capacities in kW given for 45°C water leaving temperature and 7°C ambient temperature

Compatibility table / Codes

Model	0040 TP	0050 TP	0060 TP	0080 TP	0100 TP	0120 TP	0150 TP
YLCA Cooling only unit (Pack included)	S668554084	S668525182	S668526182	S668528182	S668521182	S66851156	S668551507
YLHA Heat pump unit (Pack included)	S668654084	S668625182	S668626182	S668628182	S668621182	S668651156	S668651506
Model	0040 T	0050 T	0060 T	0080 T	0100 T	0120 T	0150 T
YLCA Cooling only unit (without Pack)	S668554080	S668525180	S668526180	S668528180	S668521180	S66851154	S668551503
YLHA Heat pump unit (without Pack)	S668654080	S668625180	S668626180	S668628180	S668621180	S668651154	S668651504

Use this unit code when a factory fitted option is NOT required

Accessories (Supplied loose)

AVM mounting	S613029002	S613026080	S613028180	S613021580
Mechanical flow switch	S611992021			
Water Filter *	S611300150	S611300170	S611300190	
Remote control	S613802011			
Remote terminal	S613802231		-	
Cable for remote connection of the terminal	-		S613802241	
B.M.S. Communication	S613802041		S613802051	

Model	0040 TP	0050 TP	0060 TP	0080 TP	0100 TP	0120 TP	0150 TP
YLCA Cooling only unit (Pack included)	S668000226	S668000247	S668000251	S668000255	S668000259	S668000107	S668000111
YLHA Heat pump unit (Pack included)	S668000228	S668000248	S668000252	S668000256	S668000260	S668000131	S668000135
Model	0040 T	0050 T	0060 T	0080 T	0100 T	0120 T	0150 T
YLCA Cooling only unit (without Pack)	S668000038	S668000245	S668000249	S668000253	S668000257	S668000105	S668000109
YLHA Heat pump unit (without Pack)	S668000039	S668000246	S668000250	S668000254	S668000258	S668000129	S668000133

Use this unit code when a factory fitted option is required

Options (Factory fitted)

Low Noise version	S613990550	S613990650	S613990850	S613991050	S613991285	S613991584
Softstart	S606744692	S606744693		S606744694		
Dual pumps **	-	S613990540	S613990640	S613990840	S613991040	S613991286
Condenser protection grille	S613995090	S613995091	S613995092	S613995093		S613995094

* included with unit version "P" only for unit without pack. Filter size: 2" for YLCA 40-50-60-80 and 2 1/2" for YLHA 100-120-150.

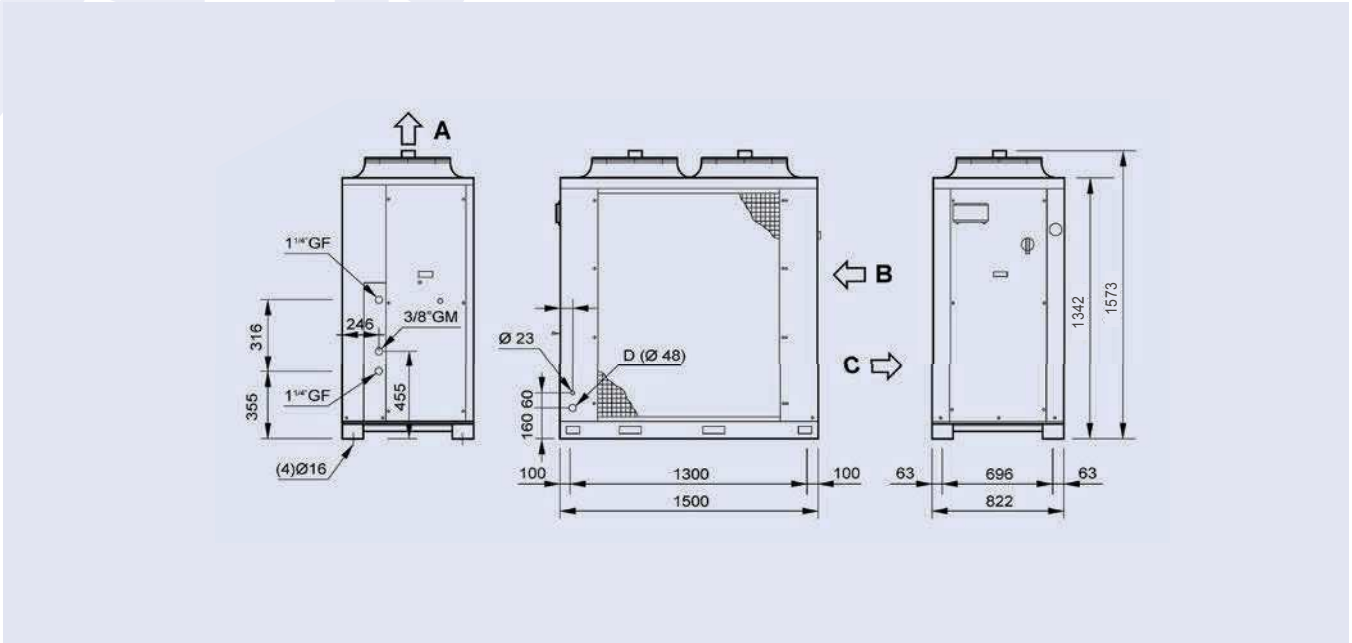
** Dual pump option has to be ordered with units with hydrokit.



Manufacturer reserves the rights to change specifications without prior notice.

Dimensions and hydraulic connections

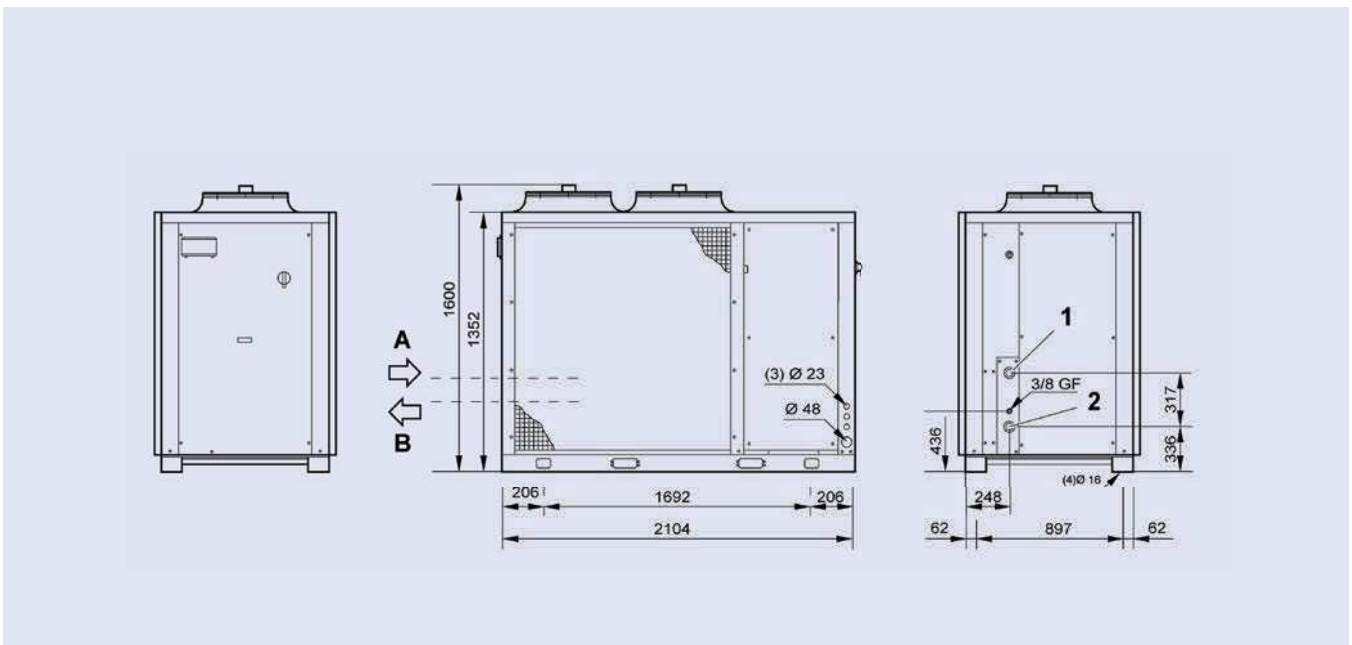
YLCA-YLHA 0040 T-TP



All dimensions in mm. Drawings not a scale.

Unit	A	B	C
YLCA/YLHA 0040	Air outlet	Water inlet	Water outlet

YLCA-YLHA 0050 and 0060 T-TP



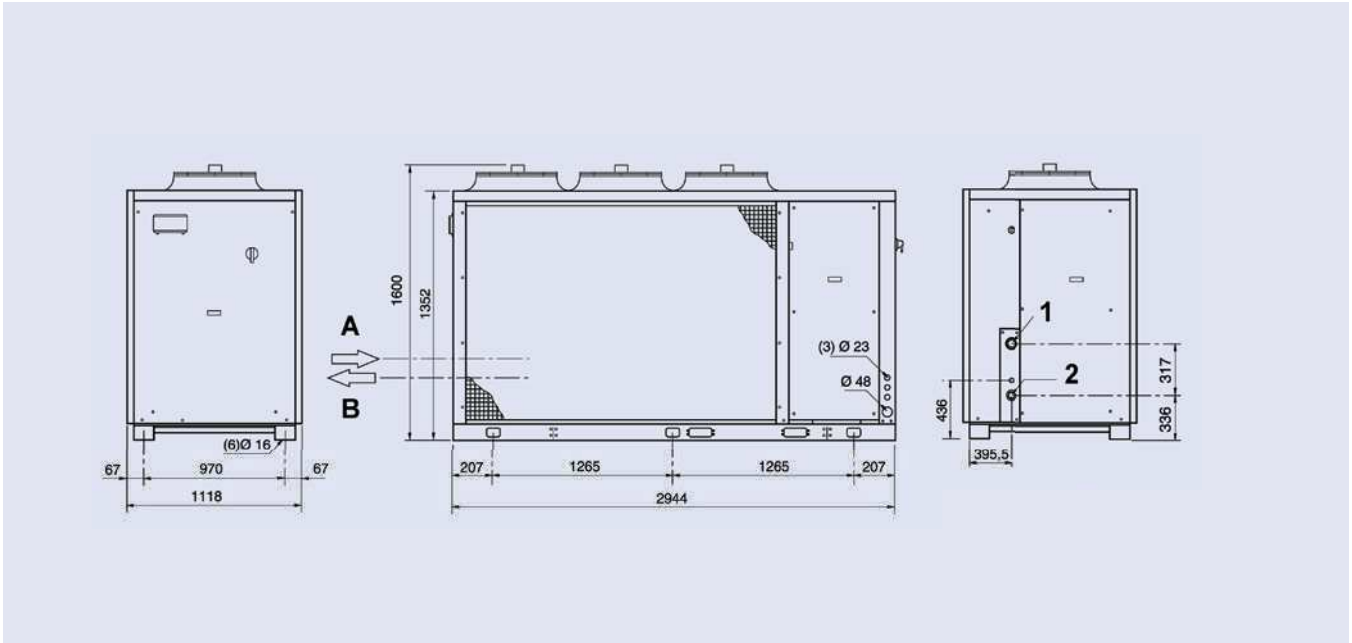
All dimensions in mm. Drawings not a scale.

Unit	A	B	1	2
YLCA/YLHA 0050-0060	Water inlet	Water outlet	2" GF (Inlet)	2" GF (Outlet)

YLCA / YLHA 0040 to 0150



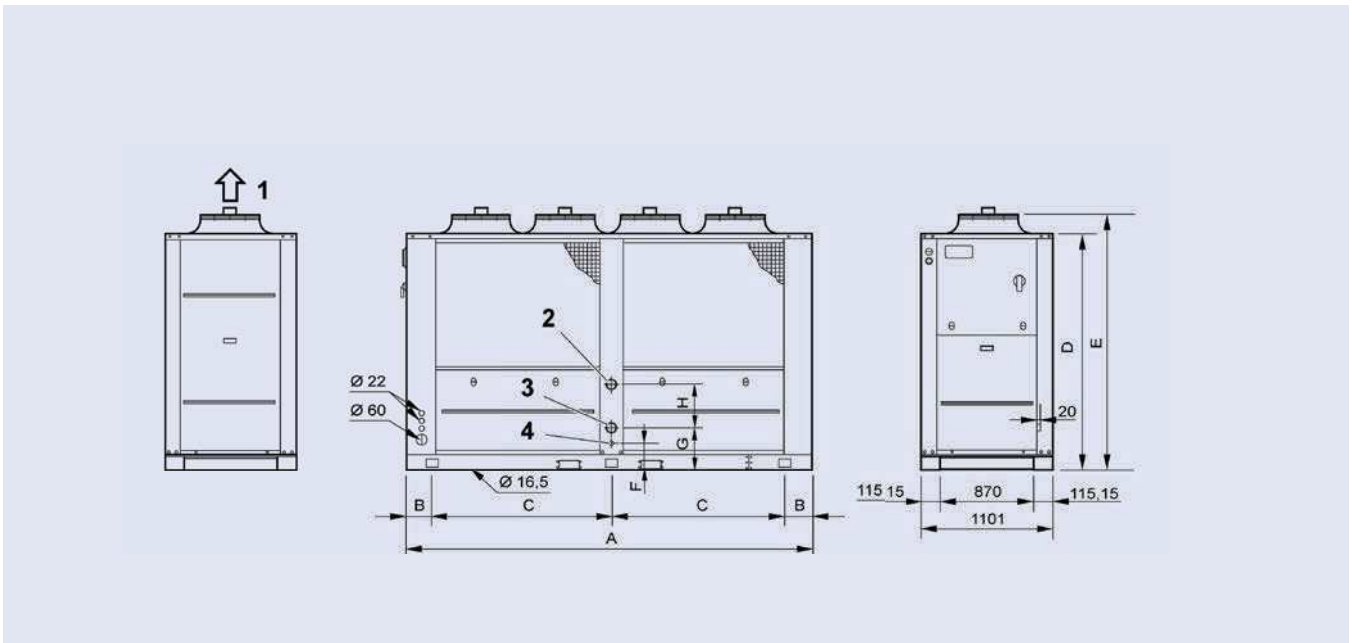
YLCA-YLHA 0080 T-TP



All dimensions in mm. Drawings not a scale.

Unit	A	B	1	2
YLCA/YLHA 0080	Water inlet	Water outlet	2" GF (Inlet)	2" GF (Outlet)

YLCA-YLHA 0100, 0120 and 0150 T-TP



Unit	1	2	3	4	A	B	C	D	E	F	G
YLCA/YLHA 0100-0120	Air outlet	Water outlet Ø2 1/2" G	Water inlet Ø2 1/2" G	Drain Ø 20 x 20	3 416	182	1 525	1 942	2 190	199	289
YLCA/YLHA 0150					3 770	255	1 630	1 993	2 263	145	211

All dimensions in mm. Drawings not a scale.